



Leveraging a full-duplex architecture and four or eight I/O port configurations, the Viasat RT-1829(P)/S multi UHF channel terminal provides SATCOM connectivity for an entire ship. This terminal can help you reduce the size, weight, and power of your UHF communication equipment by streamlining functionality traditionally achieved with a stack of radios and eliminating RF multiplexing, configuration, and management challenges. With a single control or management interface you can operate multiple voice and data communications simultaneously and independently.

This terminal is Joint Interoperability Test Command (JITC) and NSA certified to ensure compliance with legacy Demand Assigned Multiple Access (DAMA) MIL-STDs and provide interoperability with already fielded UHF SATCOM terminals. When each channel is combined with an external 200 watt power amplifier, LNA/diplexer, and antenna, the Viasat RT-1829(P)/S terminal creates a complete low-cost UHF SATCOM system.

To support the growing demand for capacity, optimize channel performance, and provide backwards DAMA interoperability, this terminal is Integrated Waveform (IW) certification ready. With IW capability, the Viasat RT-1829 provides voice communication for additional users, enables comm access to be tailored to individual operational needs, and reduces transmit/receive contention. Under contract with DISA, Viasat has successfully installed and tested IW UHF network control stations around the world.

VIASAT RT-1829(P)/S AT-A-GLANCE

- » JITC & NSA certified
- » IW certification ready
- » Ruggedized for shipboard applications
- » Up to 4 full-duplex RF channels
- » 9U rack mountable
- » Single HMI configuration
- » Replacement for legacy terminals:
 - AN/USC-42 (mini-DAMA)
 - AN/USC-54 (VICS)
 - AN/WSC-3

Viasat RT-1829(P)/S Shipboard UHF Terminal

SPECIFICATIONS¹

INTERFACES

Compatible Serial I/O	RS-422/23, RS-232, MIL-STD-188-114
Compatible COMSEC	ANDVT AN/USC-43, KY-99A, KY-100, KY-58, KG-84A/C; KIV-7 and others
Keyfill	DS-101, DS-102
UHF	
» RX	243 to 270 MHz, 50 Ohms
» TX	292 to 318 MHz, 50 Ohms
Frequency Ref Input and Output	1, 5 or 10 MHz; 0dBm
Remote Control	Ethernet (Local PC)
HPA Control	Keyline
Power Source	120/240 VAC, 50/60 Hz

PHYSICAL CHARACTERISTICS

9 Rack Units	Standard 19-in. rack
Depth	23.75 in.
Weight	<100 lb

ENVIRONMENTAL/EMI

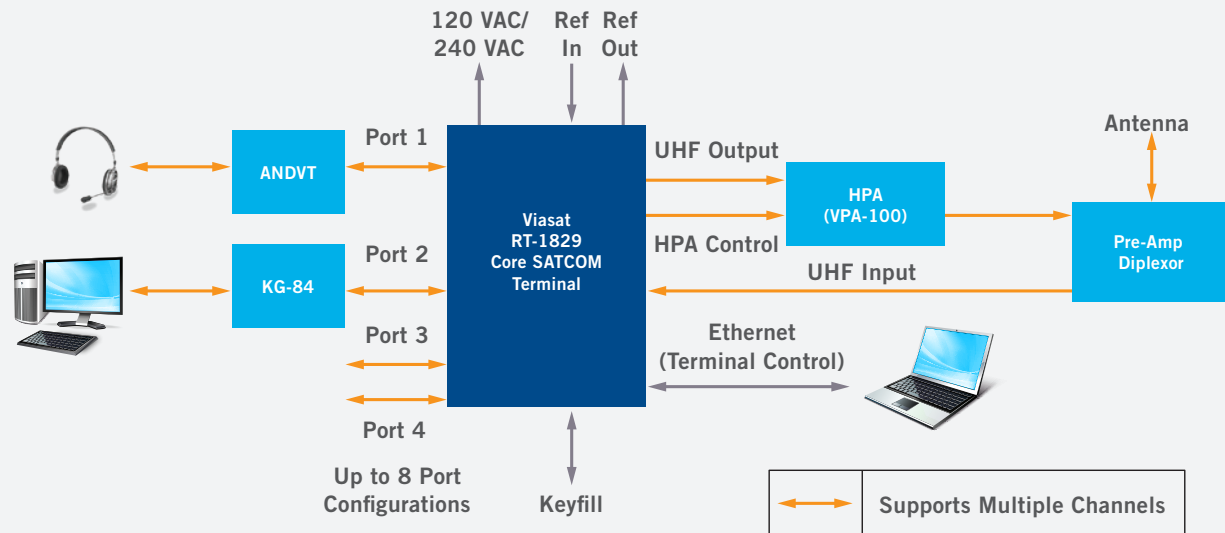
Operation Temperature	0° to +50° C
Altitude (Storage and Transportation)	0 to 15,000 ft
Humidity	95%, non-condensing
Cooling	Integrated fans
EMI	MIL-STD-461F/EN55022/EN55024
Vibration	MIL-STD-167-1A
Shock	MIL-S-901D
Salt Fog	MIL-STD-810G
Ambient Noise	MIL-STD-1474 (Grade A3)
Input Power (Power Supply)	MIL-STD-1399
ITE Safety	EN60950-1

WAVEFORM CAPABILITIES

» MIL-STD-188-181B	Dedicated
» MIL-STD-188-181C	IW capable
» MIL-STD-188-182A	5 kHz DAMA
» MIL-STD-188-182B	IW capable
» MIL-STD-188-183-	25 kHz DAMA
» MIL-STD-188-183B	IW capable

CERTIFICATIONS

- » JITC certified for DAMA and Dedicated
- » NSA certified for Sensitive but Unclassified orderwire processing
- » IW JITC certification ready



CONTACT

SALES

TEL 888 842 7281 (US Toll Free) FAX +1 760 929 3968 EMAIL gov.SATCOM@viasat.com WEB www.viasat.com

TECHNICAL SUPPORT

TEL 866 659 9702 (US Toll Free) or +1 760 602 5656 EMAIL NOC.Carlsbad@viasat.com

