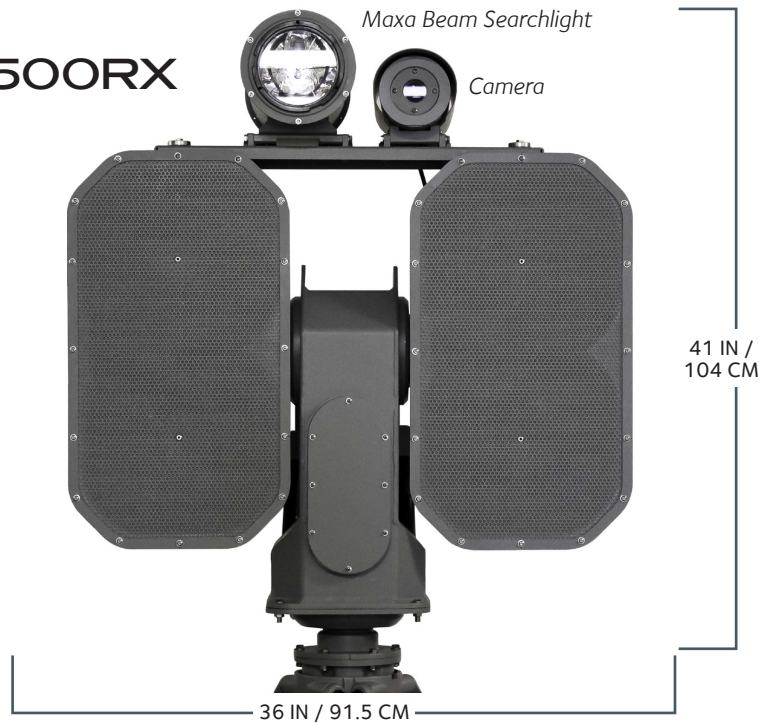


### LRAD 500RX



### DIRECTIONALITY, POWER & RANGE

- › Powerful, intelligible communication up to 2,000 meters
- › Safely communicate beyond standoff distances to determine intent
- › Clear, long-range directional communication
- › Creates instant acoustic standoff perimeter

### FEATURES

- › Remotely control all functions through TCP/ IP connection
- › Respond to threats from safe environments
- › Low power requirements
- › All weather use
- › Fixed infrastructure
- › Simple to operate – Increased coverage with single operator
- › Increased security coverage
- › Improved operational efficiency
- › Increased response capabilities
- › Safer alternative to non-lethal deterrent options

### MARKETS SERVED

- › Law Enforcement
- › Defense
- › Commercial Security
- › Critical Infrastructure Security
- › Maritime
- › Homeland Security
- › Port & Border Security
- › Emergency Warning
- › Mass Communication

### ORDERING INFORMATION

LRAD-500RX	LRAD 500RX remotely operated, pan and tilt, long range communication system.
------------	--

### INCLUDED ACCESSORIES

HD Day Camera	HD Daylight Camera; HD video camera with adjustable boresight mount and 30x optical zoom lens.
Connection and Cable Kit	Included for configuration and testing. Cables for permanent installation not included.
Surveillance Software	TCP/IP network control and easy integration with other network enabled sensors. The included LRAD Controller software allows for full command and control of all LRAD 500RX functions, including camera zoom controls, movement and broadcast of live or prerecorded audio. The LRAD Controller also provides detailed health diagnostics.

### OPTIONAL ACCESSORIES

Software API	The software Application Programming Interface enables systems integrators to quickly and easily develop applications for the LRAD 500RX to receive position and tracking commands from other networked sensors. As part of an integrated system, the LRAD 500RX can be programmed to respond to alarms or integrated with radar to automatically respond to potential threats.
Commissioning	Check installation, wire connection and system start up to confirm proper operation. (Required for Warranty)
Maxa Beam Kit	12 million candlepower in a lightweight, mounted searchlight, illuminates targets up to 3,500 meters away
Steel Pedestal	18" galvanized steel mounting pedestal, available in various heights.



# LRAD® 500RX

Remotely Operated, Integrated Communication System

## INTEGRATED SURVEILLANCE, SECURITY & RESPONSE FOR VESSELS, COASTAL WATERS, BORDERS, PORTS & CRITICAL INFRASTRUCTURE

The LRAD 500RX is designed for integrated applications ranging from maritime vessels to coastal, border and port security solutions. Controlled remotely across a TCP/IP network, the LRAD 500RX enables system operators to respond to potential threats from safe environments with a fully functional, unmanned perimeter security solution.

The LRAD 500RX accepts motion commands from the LRAD Controller software through a point and click interface. Simply click on a target and the LRAD 500RX will move to center its acoustic beam onto the target. A standard USB joystick (not included) can also be used to control the LRAD's motion. The LRAD Controller's easy to use interface enables a user to visually spot a potential threat on the live video feed, aim the LRAD and deliver a powerful warning message or warning tone from the safety of a secure control room. The LRAD 500RX's ability to immediately interact with potential threats provides security personnel more time and information to assess situations and scale their response appropriately.

Featuring an integrated camera, high intensity searchlight (optional) and robust, IP-addressable full pan and tilt drive for precise aiming and tracking, the LRAD 500RX can also be integrated with radar to provide auto-mated intruder alerts. Because of its automated capabilities, the LRAD 500RX reduces manpower, false alarms, and resolves uncertain situations with a highly effective, cost efficient, remote first responder security solution.

## ACOUSTIC PERFORMANCE

Maximum Peak Output	154dB SPL @ 1 meter, C-weighted
Max. Continuous Output	149dB SPL @ 1 meter, A-weighted
Sound Projection	+/- 15° at 1 kHz/-3dB
Communications Range	Maximum range up to 2,000 meters in ideal conditions. Operational range up to 650 meters over 88dB of background noise. Ranges based on continuous output.

## ENVIRONMENTAL PERFORMANCE



Hot Operating Temperature	MIL-STD-810G, Method 501.5, Procedure II, Design type Hot, 60°C
Cold Operating Temperature	MIL-STD-810G, Method 502.5, Procedure II, Design type Basic Cold, -33°C
Hot Storage Temperature	MIL-STD-810G, Method 501.5, Procedure I, 70°C
Cold Storage Temperature	MIL-STD-810G, Method 502.5, Procedure I, -40°C
Operating Humidity	MIL-STD 810G, Method 507.5, Procedure II – Aggravated Cycle
Rain	MIL-STD-810G, Method 506.5, Procedure I, Blowing rain
Salt Fog	MIL-STD-810G, Method 509.5
Shipboard Vibration	MIL-STD-167-1A
Shipboard Shock	MIL-S-901D, Class I, Shock grade B, Type A
Random Vibration	MIL-STD-810G, Method 514.6, Wheeled vehicles
SRS Shock	MIL-STD-810G, Method 516.6, Procedure I
IP Protection Class	IP-56, protected against dust, high pressure water jets
Wind Velocity	90 knots (104 mph / 167 kph)

## MECHANICAL

Dimensions	36" W x 41" H x 21.5" D (91.44 cm x 104.1cm x 54.6cm)
Weight	176.37 lbs. (80kg) with camera
Construction	Molded low smoke composite, 6061 Aluminum, 316 Stainless hardware
Positioner Velocity	360° non-continuous rotation (+/- 180°), +45° to -95° tilt
Positioner Resolution	0.01 degrees

## ELECTRICAL REQUIREMENTS

Power Consumption	Peak power consumption 1000 Watts
Power Input	48 VDC (+ 3%) at 15 Amps maximum
Control Interface	Discrete inputs for power and communications, Stainless steel MIL-DTL-D38999* connectors
Communication Interface	Ethernet Interface with TCP/IP protocol, Proprietary LRAD control command language, Graphical user interface included for Windows XP/ Vista based systems, Software development tools available.

\* SPECIFICATION COVERS SERIES OF MINIATURE, HIGH DENSITY, BAYONET, THREADED, OR BREECH COUPLING, CIRCULAR, ENVIRONMENT RESISTANT, ELECTRICAL CONNECTORS USING REMOVABLE CRIMP OR FIXED HERMETIC SOLDER CONTACTS, AND ARE CAPABLE OF OPERATION WITHIN A TEMPERATURE RANGE OF -65°C TO +200°C.

## ELECTROMAGNETIC COMPATIBILITY (EMC)



REQUIREMENTS FOR THE CONTROL OF ELECTROMAGNETIC INTERFERENCE CHARACTERISTICS OF SUBSYSTEMS AND EQUIPMENT. FCC Part 15 class A radiated emissions, CE

## INTEGRATED CAMERA

Lens	30x zoom, f=4.3mm (wide) to 129.0 mm (tele), F1.6 to F4.7
Angle of View (H)	63.7 deg (wide end) to 2.3 deg (tele end)
Minimum Illumination	Color: 0.01 lx (F1.6, AGC on, 1/30s)
Outdoor Enclosure	Watertight, pressurized, nitrogen filled, solar shield



LRAD products are available for purchase through multiple channels including: GSA Advantage, Federal and State grants, FEMA RKB Standardized Equipment List (SEL), and others. More information: info@LRAD.com.

LRAD.com

TEL: 858-676-1112 | FAX: 858-676-1120 | SALES@LRAD.COM  
16990 GOLDENTOP ROAD, SUITE A · SAN DIEGO, CA 92127 USA

SPECIFICATIONS SUBJECT TO CHANGE · ©2017 LRAD CORPORATION

170224